

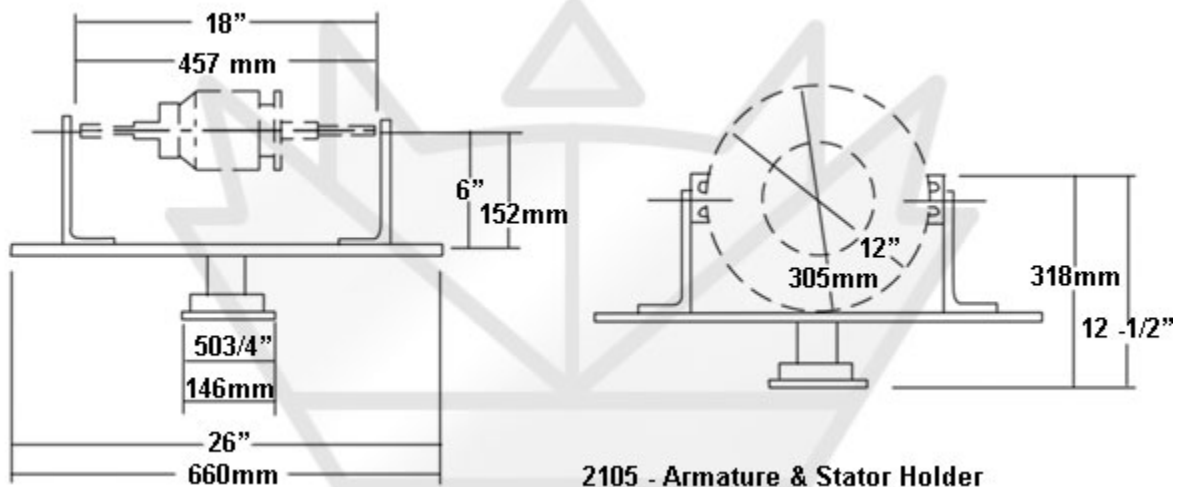
ARMATURE AND STATOR HOLDER



This dual-purpose tool holds any fractional or small integral horsepower armature or stator, holds centered or UN-centered shafts, and clamps stators through dogs as illustrated. This holder rotates both horizontally and vertically and may be locked in any position. Holds work in most convenient position for winding, soldering, bonding, etc.

Dimensions: 12 1/2" total height with adapters, length 26"

Capacity: Maximum armature length 18"; Maximum diameter 12"



AT **LAYCOCK**, WE MAKE WINDING EASIER!
LAYCOCK KEEPS ONE STEP AHEAD!

QUESTIONS OR COMMENTS? EMAIL US AT laysys@verizon.net