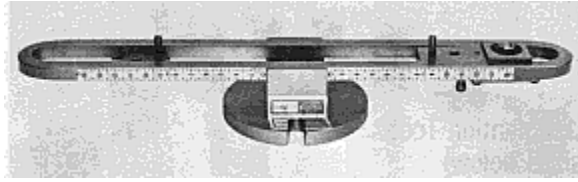


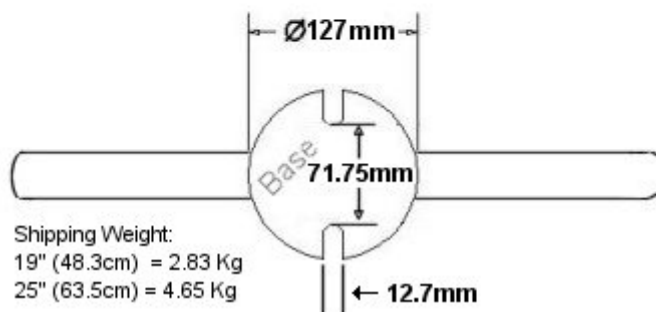
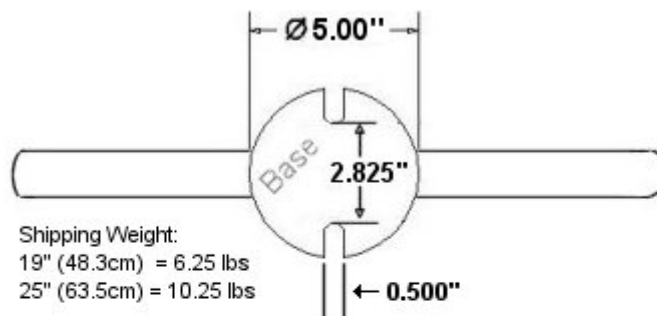
# LAYCOCK HOLDERS



Our 19" (48.3 cm) and 25" (63.5 cm) holders have a scale marked in inches for rapid adjustment and have a base adjustable to any known winding machine.

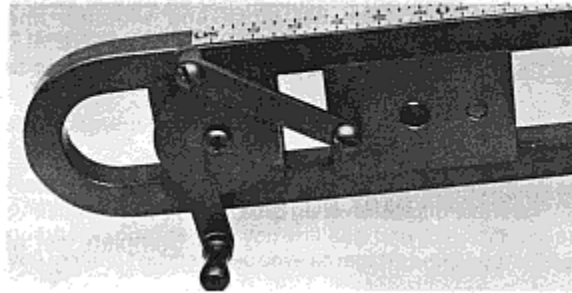
Equipped with the instant coil release, they accept all **Laycock** LA-100 and LA-300 series winding heads and are considered a major breakthrough in winding equipment!

- Simplicity of design
- Sturdiness of construction
- Ease of operation
- Adaptability to any winding machine



# INSTANT COIL RELEASE

Laycock's Contribution  
To The Electric Motor Winding Industry!



Our quick release moves one head two inches (50.8 mm) with just a flip of the handle to allow the coils to be removed from the head. Our quick release is made with the highest quality materials and craftsmanship to give long service with daily use.

- No sheet metal parts! - machined from steel bar stock
- Eliminates the use of wrenches
- No stops to set
- Returns head to exact position every time!
- Fits 19" (48.3 cm) and 25" (63.5 cm) Laycock holders
- Saves you time and money!

**AT LAYCOCK, WE MAKE WINDING EASIER!  
LAYCOCK KEEPS ONE STEP AHEAD!**

QUESTIONS OR COMMENTS? EMAIL US AT [laysys@verizon.net](mailto:laysys@verizon.net)