

The "Short" Test:

The armature should be placed in the Growler and slowly rotated by hand with the hacksaw blade "feeler" held just above the slots in the armature as shown. If the coil is short circuited, the feeler will stick and vibrate. If coils are not short circuited, no pull will be felt on the feeler.

The "Open" Test:

Open circuits can usually be detected by short circuiting the ends of coils with the "feeler". This may be done quickly by successively short circuiting adjacent commutator bars. If no spark is obtained, the coil circuit is open.

De-magnetizing/Magnetizing:

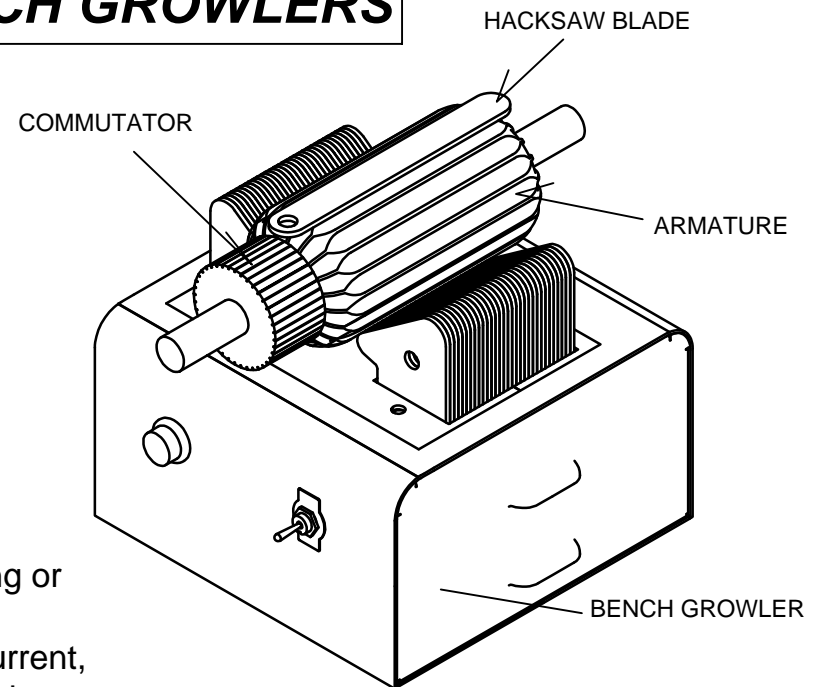
These Growlers may be used for either de-magnetizing or magnetizing.

To De-magnetize tools or other objects, turn on the current, place the object between the jaws of the Growler and then draw it slowly from the jaws.

To Magnetize tools or other objects, connect the parallel blades of the power cord to a 12 volt DC, 6 amp battery charger. Place the object across the jaws, then turn on the current and strike the object sharply with a hammer or mallet.

CAUTION: Do not leave the unit on for more than 2 minutes at one time to avoid Growler coil damage.

ARMATURE TESTING BENCH GROWLERS



NOTE: Always turn the power switch "OFF" when armature is removed from the Growler.

MAINTENANCE and STORAGE
When not in use, store unit within a plastic bag.