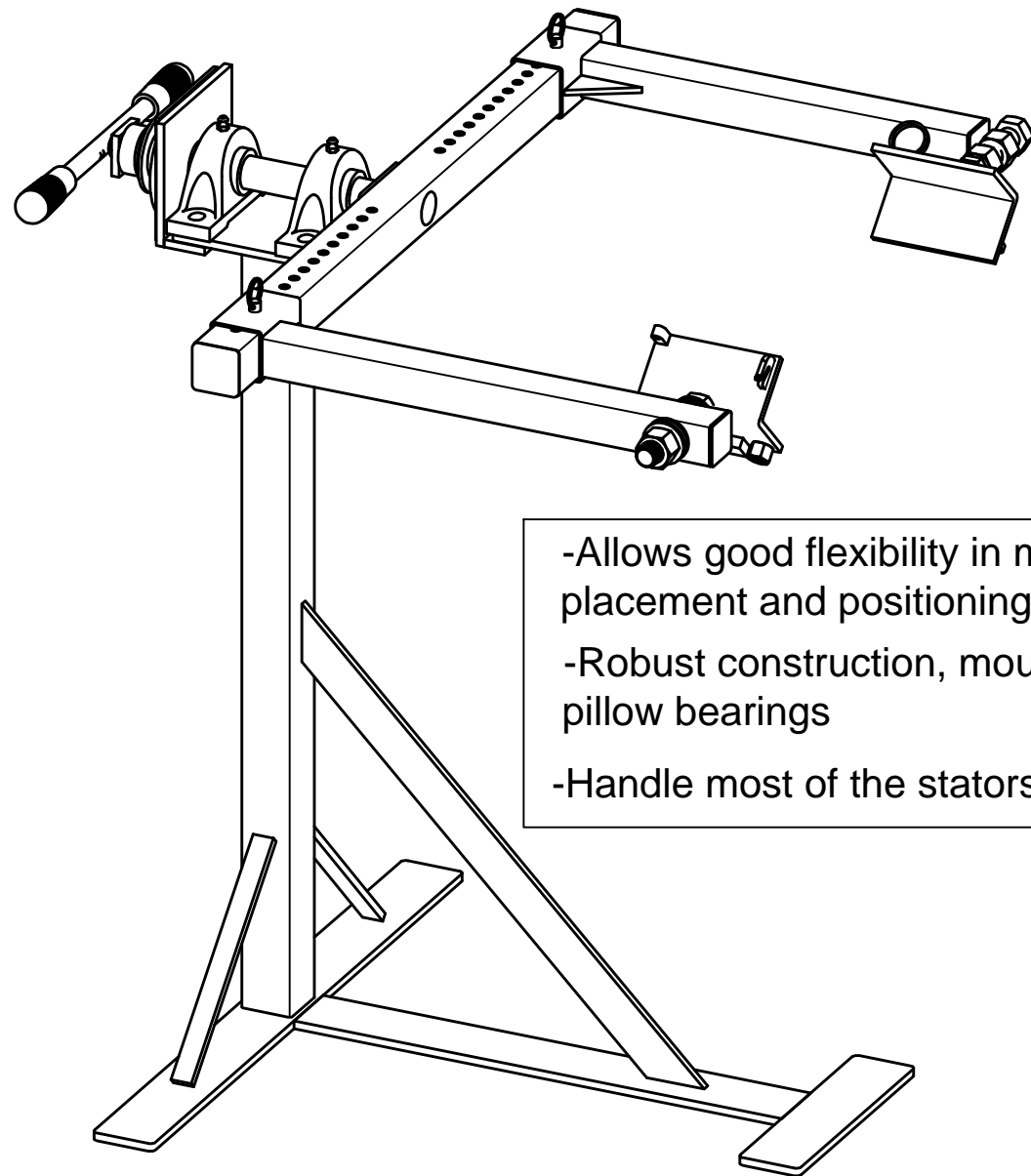


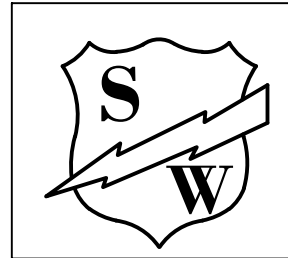
S/W 200 MM

Large Rotatable Stator Holder



- Allows good flexibility in motor placement and positioning
- Robust construction, mounted on pillow bearings
- Handle most of the stators up to 200 HP

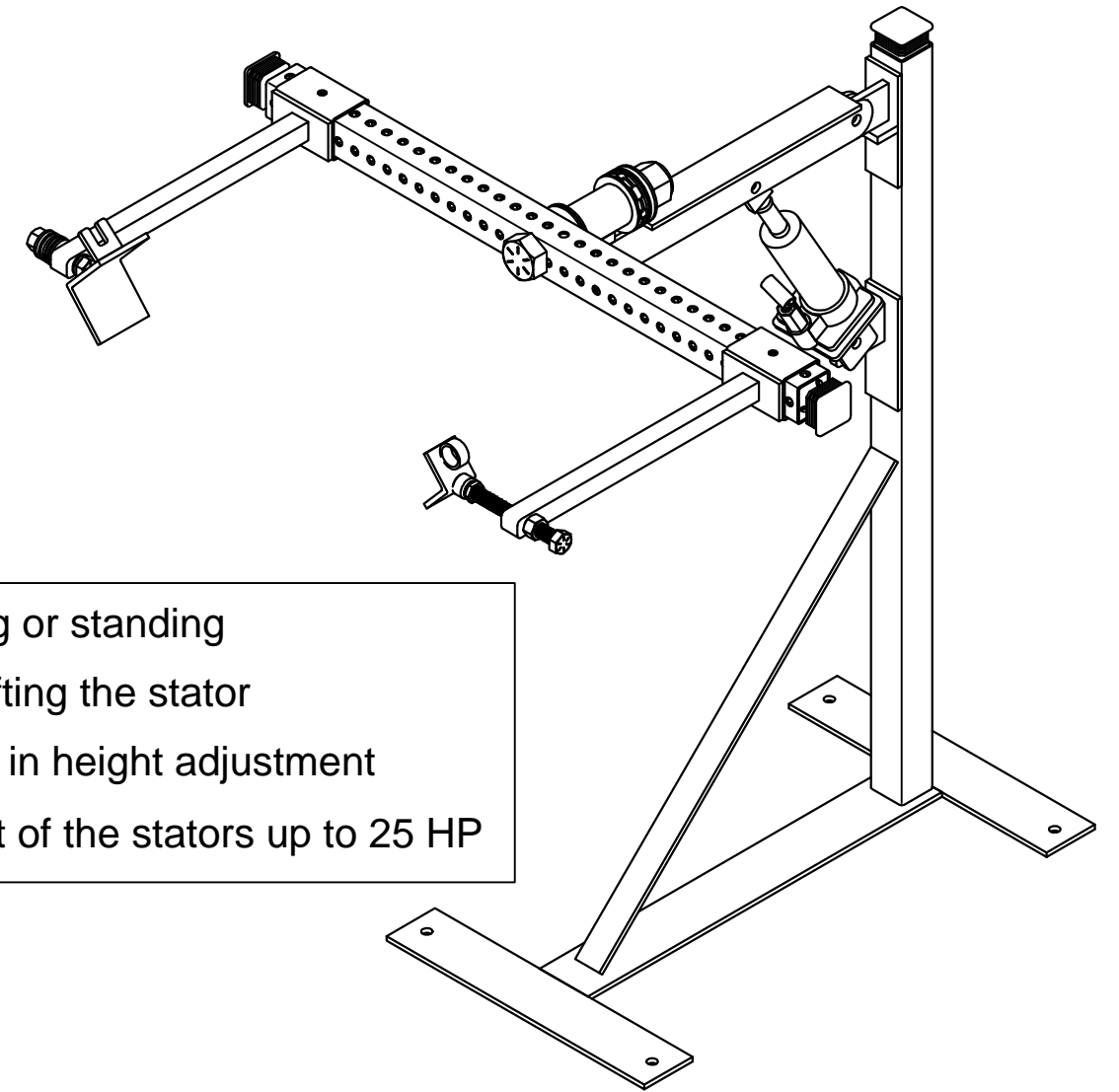
S/W STATOR HOLDERS



-Designed to hold stator, making easier to insert the coils.

S/W 25 MM

Medium Rotatable Stator Holder



- Winds sitting or standing
- Minimizes lifting the stator
- Allows ease in height adjustment
- Handle most of the stators up to 25 HP